

TRANS	MPH/KMH	MILES/KMS
AUTO	35/55	50/80



FRONT TOWING CONNECTIONS — SLINGBELT

CAUTION: If the vehicle is equipped with an air dam and must be towed from the front, it is recommended that the vehicle be towed with a wheel lift or flatbed equipment to prevent damage to the air dam.

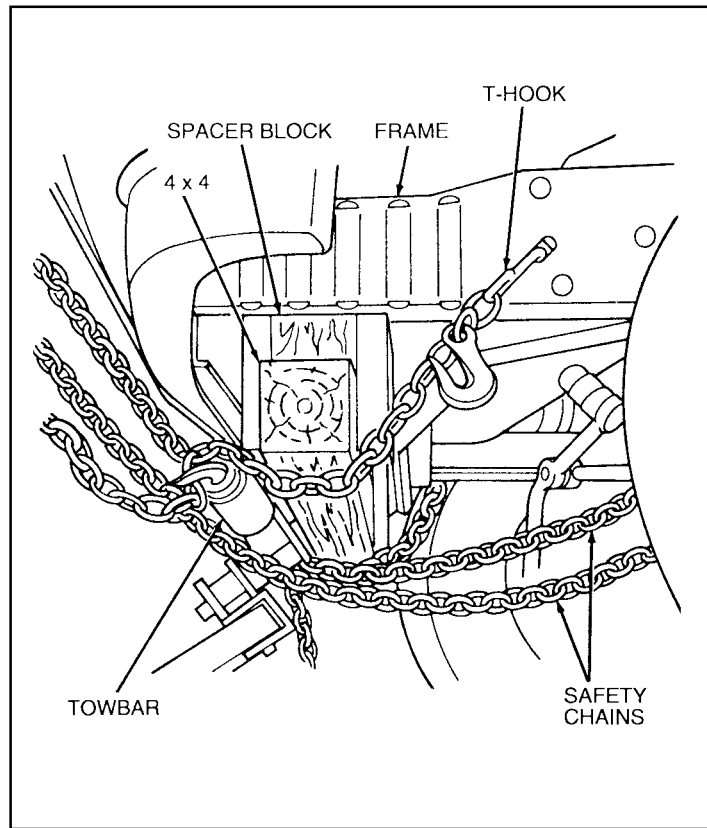
CAUTION: It is recommended that the E-Series vehicles be towed with a wheel lift or flatbed equipment. However, a slingbelt with T-hooks can also be used.

CAUTION: When towing E-Series vehicles, spacer blocks must be used with a 4x4 crossbeam.

NOTE: Refer to general towing information on pages 26 through 29 before towing vehicle.

- Insert T-hooks in horizontal T-hook slots in frame.
- Place spacer blocks and 4x4 crossbeam behind bumper and air dam and across frame rails. Make sure that spacer blocks are under frame rails.
- Attach safety chains around axle, outboard of coil springs.

If the vehicle is towed by other means or incorrectly, vehicle damage may occur.





TRANS	MPH/KMH	MILES/KMS
AUTO	UNLTD	UNLTD

E-SERIES, CLUB WAGON, E-150, E-250, E-350, E-SPORT

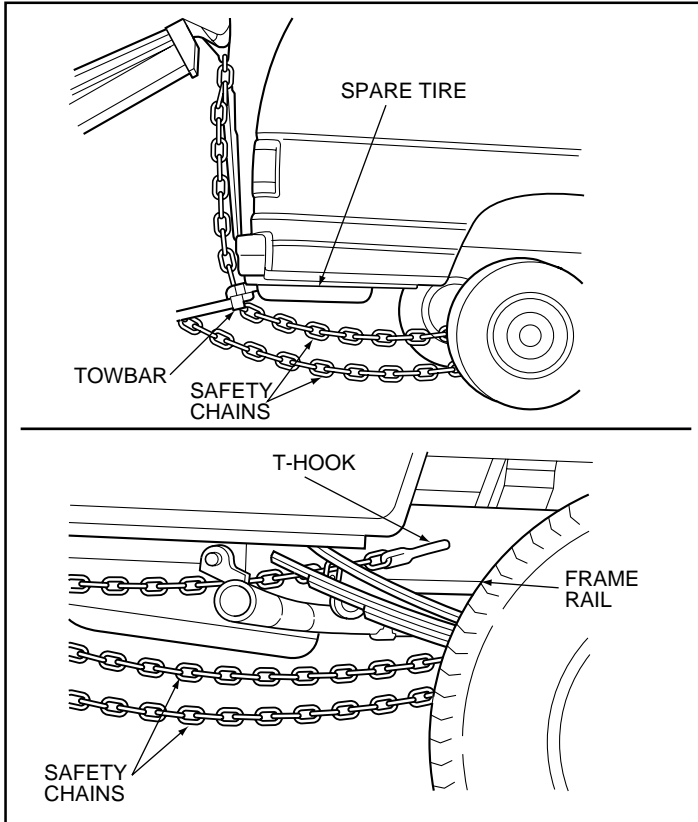
REAR TOWING CONNECTIONS

CAUTION: It is recommended that E-Series vehicles be towed with a wheel lift or flatbed equipment. However, a slingbelt with T-hooks can also be used.

NOTE: Refer to general towing information on pages 26 through 29 before towing vehicle.

- Attach T-hooks in T-hook slots on frame rail, inside the leaf spring.
- Route chains below spring shackles, on the right side route chain above tail pipe.
- Place towbar under rear bumper, missing spare tire.
- Attach safety chain around rear axle. Route chain between axle and parking brake cable on RH side.

If the vehicle is towed by other means or incorrectly, vehicle damage may occur.



GENERAL TOWING INFORMATION — LIGHT TRUCKS

IMPORTANT SAFETY NOTICE

NOTES AND CAUTIONS

As you read through the procedures, you will come across **NOTES** and **CAUTIONS**. Each one is there for a specific purpose. **NOTES** give you added information that will help to complete a particular procedure. **CAUTIONS** are given to prevent you from making an error that could damage the vehicle.

Preparatory Steps

Release the parking brake and place the transmission/transaxle in NEUTRAL. As a general rule, vehicles should be towed with the drive wheels off the ground. If the vehicle is to be towed on its drive wheels, the transmission/transaxle and differential must be operable. If the transmission/transaxle is not operable, place the rear wheels on a dolly or disconnect the rear driveshaft (on rear wheel drive vehicles). If the differential is not operable, place the rear wheels on a dolly.

When a vehicle is towed on its front wheels, the steering wheel must be clamped in the straight ahead position with a steering wheel clamping device designed for towing service use, such as those provided by towing system manufacturers.

Do not use the vehicle's steering column lock to lock the wheels in a straight ahead position when pulled from the rear. If the ignition key is not available, place a dolly underneath the drive wheels of the vehicle and tow with the non-drive wheels raised.

WARNING: DO NOT TOW VEHICLE BACKWARD WHEN TOWING THE VEHICLE WITH ALL FOUR WHEELS ON THE GROUND.

When towing the vehicle with all four wheels on the ground, the steering wheel should be left unlocked.

Towing Four-Wheel Drive Vehicles with Lever-Operated Transfer Case

1. Place the transmission/transaxle (automatic or manual) in N (NEUTRAL).
2. Place the transfer case in N (NEUTRAL).

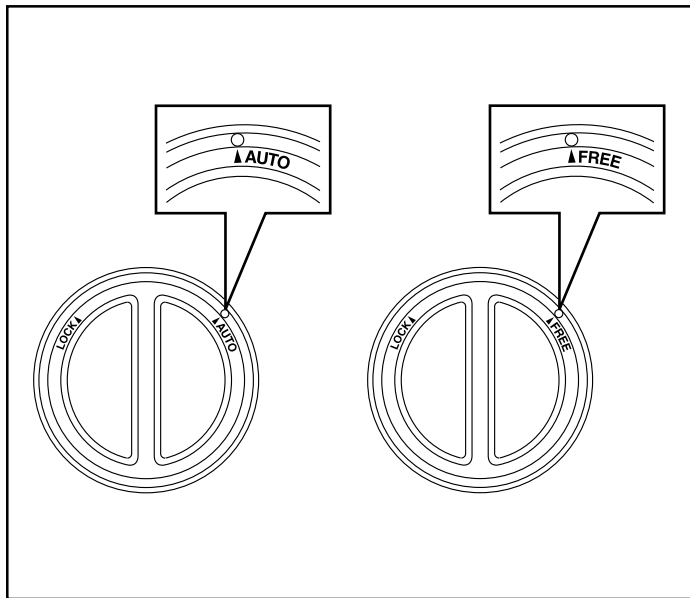
NOTE: The transfer case NEUTRAL setting is located between 4H and 4L. In order to place the transfer case in NEUTRAL, the lever must be moved slightly to the left and rearward of the 4H position. With the ignition in the ON position, both the 4x4 and LOW RANGE indicator lights will be off when the transfer case is in NEUTRAL. For vehicles with electric shift, the transfer case selector should be in 2WD mode.

GENERAL TOWING INFORMATION — LIGHT TRUCKS

3. Set the manual locking hubs in AUTO or FREE position.

NOTE: Place the locking hub into the AUTO or FREE position. To verify the system is in the NEUTRAL position, the front driveshaft should turn freely.

Vehicle speed should not exceed 55 mph (90 km/h). This applies with either the front or rear wheels off the ground, or both front and rear wheels on the ground.



Towing Four-Wheel Drive Vehicles with Electronic Shift Transfer Case

1. Place the transmission (automatic or manual) in N (NEUTRAL).
2. Place the transfer case in 2H (HIGH).

NOTE: Both the 4x4 and LOW RANGE indicator lights will be off when the transfer case is in 2H (HIGH).

3. Disengage the automatic locking hubs.

Once these three conditions are met, follow instructions for towing two-wheel drive vehicles.

Towing speed is limited to 35 mph (55 km/h) and 50 miles (80 km) with the drive wheels on the ground.

WARNING: NEVER USE A TOW BAR THAT ATTACHES TO THE BUMPER WHEN TOWING THE VEHICLE. THE BUMPER COULD BE DAMAGED AND CAUSE AN ACCIDENT.

NOTE: If a distance of 50 miles (80 km) and/or a speed of 35 mph (55 km/h) is exceeded, disconnect the driveshaft of the rolling axle(s). Towing speed should not exceed 50 mph (80 km/h).

CAUTION: Improper towing of the vehicle could result in transmission and/or transfer case damage. Always follow the outlined towing procedures. It is recommended that only an unloaded vehicle be towed.

GENERAL TOWING INFORMATION — LIGHT TRUCKS

IF TOWING WITH A LOAD IS UNAVOIDABLE, CARE MUST BE TAKEN TO PROPERLY RESTRAIN LOAD FROM SHIFTING AND DISTRIBUTE THE LOAD EVENLY IN THE PICKUP BOX.



Flat Beds

CAUTION: Improperly tying down a disabled vehicle may damage the vehicle's suspension driveline or body parts.

Towing Slings/Chains/Hooks

To avoid possible damage to bumper system, lower body panels or air dams, a belt sling should be used to lift and tow all vehicles. When attaching towing slings, take care to avoid damage to license plate and frame, or fog lamps, if equipped.

CAUTION: Use caution when attaching tow hooks and safety chains to vehicle. Position and remove hooks with care to avoid damage to brake hoses, brake lines and steering linkage components.

NOTE: On vehicles equipped with bumper guards, make sure the towbar is under the bumper and the weight of the vehicle is not supported by the bumper guards.

Towing Speeds

See specific model instructions for vehicle towing speed and distance limitations.

UNLTD = Unlimited speed or mileage.

On rough pavement, the maximum towing speed is 35 mph (55 km/h). Maximum towing speed of 35 mph (55 km/h) should be used whenever the tow truck operator is not sure of road surface conditions.

WRECKER TOWING FORD VEHICLES WITH AIR BAGS

General Information

An air bag is highly unlikely to deploy during wrecker towing. Standard wrecker towing or recovery procedures on an air bag equipped vehicle should not cause air bag deployment. Only a significant frontal impact that closes two crash sensors will deploy an air bag.

How to Determine if a Ford Vehicle has Air Bags

- The fourth position of all Ford VINs is the letter:
 - “C” if equipped with driver-side only air bag.
 - “L” if equipped with both a driver and a passenger-side air bag; or
 - “B” or “P” if not equipped with an air bag.
- The steering wheel hub will also be larger and more rectangular (about 6 inches x 9 inches). The passenger-side air bag module trim covers will be moulded with “SRS”.

Is it Necessary to Disable the Air Bag System for Wrecker Towing?

- Disabling the air bag system is **not** necessary in most cases.
- As a precaution, disconnect the battery in a safe manner, when the vehicle has significant damage to the front of the vehicle and an undeployed air bag.

NOTE: Turning the ignition switch to OFF will **not** disable the Ford air bag system. The air bag deployment system operates independently of the ignition key position.

Wrecker Towing a Vehicle with Deployed Air Bags

- Deployed air bags are **not** dangerous.
- Any powdery residue consists of corn starch or talcum powder and sodium compounds, mostly sodium carbonates (e.g., baking soda) accompanied by very minute deposits of sodium hydroxide that can be irritating to the skin and eyes but poses no long term health hazard.