

Inertia switch

In the event of an accident, an inertia switch may trip, isolating ignition controlled circuits, including fuel pump operation. Simultaneously, the doors will automatically unlock. Once the switch has tripped it must be reset before attempting to restart the engine.

Note: The doors will not unlock if the inertia switch is tripped when the ignition switch is in position '0'.

The inertia switch is located behind the trim on the left-hand side of the vehicle, forward of the door post below the fascia. The reset button is parallel with the trim panel top edge.

Resetting the switch



WARNING:

To avoid the possibility of fire or personal injury, do not reset the inertia switch if you see or smell fuel.

If no fuel leak is apparent, reset the inertia switch as follows:

1. Turn the ignition switch to position '0'.
2. Press down the rubber reset button on the top of the inertia switch.
3. Turn the ignition switch to position 'II', pause for a few seconds, then return the key to position '0'.
4. Make a further check for fuel leaks.

6-2 Roadside emergency

Emergency starting

Rolling start

A start by pushing or towing cannot be achieved on a vehicle with automatic transmission.

Emergency starting using Jump leads

Both the booster and discharged battery should be treated with great care when using jump leads. Always use high quality leads capable of carrying the starter current of the vehicle to be started.

Before commencing, the following precautions must be taken:

1. When the battery of another vehicle is being used, ensure that the vehicles do not touch, or remove the charged battery and place near to, not on, the vehicle with the discharged battery.
2. Ensure that both vehicles have all electrical services OFF, the parkbrake is ON and the transmission is in Park.

Where the jump leads are of a different colour, e.g. red and black, use red for positive (+). This aids identification and helps to avoid crossing positive (+) to negative (-). Take extra care to avoid crossing the polarity when using cables of the same colour.

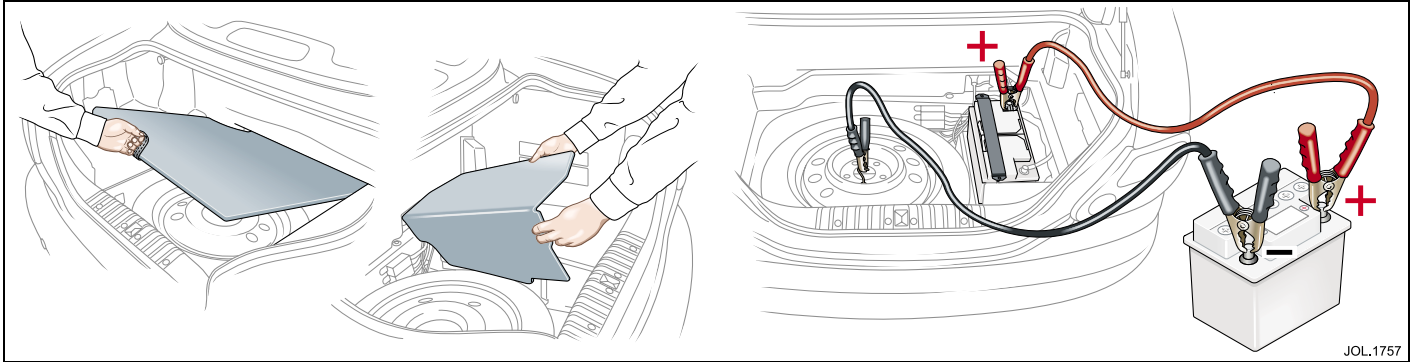
Caution:

1. **If using a jump start vehicle, under no circumstances should the vehicles come into contact with each other. This could establish an earth connection, which may cause sparks and damage.**
2. **Do not run the jump start vehicle's engine when boost starting a Jaguar Vehicle. If the jump start vehicle's engine is running and the jump leads are disconnected, damage to the Jaguar vehicle's electrical system will result.**
3. **The booster battery voltage must not exceed 12 volts.**

The following procedure must be followed exactly, being careful not to cause sparks:

1. Apply the parkbrake, select Park and turn off all the vehicle's electrical services.
2. Remove the luggage compartment floor panels.
3. Unclip the positive (+) terminal cover.

4. Attach one end of the red jump lead to the positive (+) terminal of the **booster** battery and the other end to the positive terminal of the discharged battery. **Make sure that a good connection is made. Do not allow the vehicles to touch.**



Emergency starting using Jump leads (continued)

Caution: Do not connect the negative jump lead directly to the negative (-) terminal of the discharged vehicle.

5. Attach one end of the black jump lead to the negative (-) terminal of the **booster** battery and the other end to an earth point on the vehicle being started. (Use the spare wheel retaining bolt as shown.) The earth point must be at least 12 inches (305 mm) from the discharged battery. Make sure that a good connection is made.
6. When started allow the engine to idle for five minutes before disconnecting the cables.

7. Disconnect the black jump lead from the earth point and the booster battery negative (-) terminal. Disconnect the red jump lead from the positive (+) terminals of both batteries.

Note: Disconnection is done in the reverse order to the connecting procedure.

8. Refit the positive terminal cover.
9. Refit the luggage compartment floor panels.

6-4 Roadside emergency

Wheel changing and jacking

Introduction

In the event of a flat tyre, drivers should follow closely the procedure for wheel changing and jacking given in this section. The correct jacking points and how to locate them are shown. It is important that only the correct jacking points are used.

Where vehicles have the 'temporary-use' spare wheel, drivers should be aware of the limitations of its use.

Temporary-use spare wheel

Observe the following warnings before using the wheel:



WARNING:

- 1. Please note temporary-use spare wheel warning label. Adhere to instructions on the label. Failure to comply can be dangerous.**
- 2. When a temporary-use spare wheel is fitted, drive with caution and replace with the specified wheel and tyre as soon as possible.**

- 3. Do not fit more than one temporary-use spare wheel and tyre assembly at one time.**
- 4. The temporary-use spare wheel must be inflated to 60 lbf/in² (420 kPa, 4.2 bar, 4.3 kg/cm²).**
- 5. Temporary-use spare wheel, maximum speed is 50 mph (80 km/h).**

Maintenance information for the temporary-use spare wheel is the same as given for normal tyres in Section 7.

Spare wheel and jacking equipment

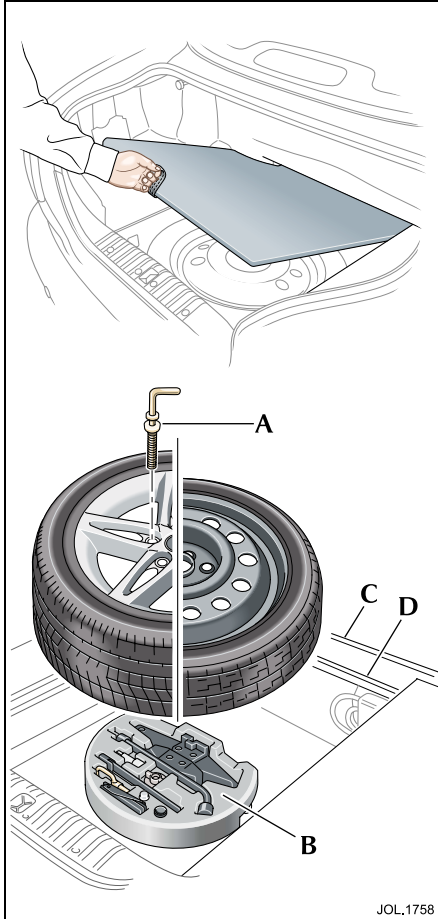
The spare wheel, jacking equipment and wheel chock are stored under the luggage compartment floor panel.

To remove the spare wheel, remove the luggage compartment floor panel and unscrew the retaining screw, as shown opposite (A).

The tray containing the jacking equipment kit can be removed from the luggage compartment by unscrewing the yellow securing bolt, as shown opposite (B).

The kit comprises: The jack; jack ratchet handle with socket extension; wheel nut wrench with telescopic extension; wheel chock; towing eye and a wheel locking nut extractor tube and key socket (where fitted).

Examine the jack occasionally, clean and grease the threads to ensure it is always ready for an emergency.



Spare wheel stowage

When the temporary-use spare wheel is being used, stow the replaced road wheel in the luggage compartment so that it fits over the jacking equipment tray. Reposition the luggage compartment floor panel in the upper location slots (C).

When the temporary-use spare wheel is returned to the luggage compartment, position the wheel with one stud hole directly over the yellow plastic bolt. Fit the retaining screw through the stud hole into the bolt head and tighten down. Refit the luggage compartment floor panel in the lower position (D).

Note: Remove the centre badge, see page 6-9.

20 inch diameter road wheels cannot be stored beneath the luggage compartment floor panel. Use the plastic stowage bag and gloves provided in the luggage compartment.



WARNING:
Keep plastic bags away from children.

Wheel changing and jacking

Be prepared for a flat tyre. Know where equipment is stowed and read the wheel changing and jacking instructions carefully.

Stopping the vehicle

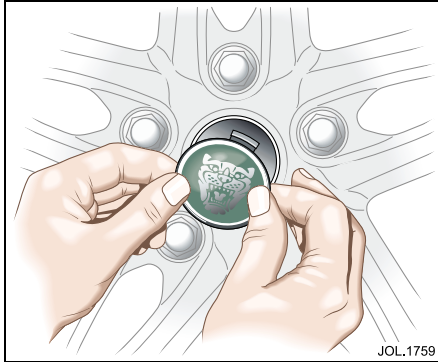
Pull off the road completely, clear of all traffic and park on as level ground as possible. Switch on hazard warning lights.



WARNING:
It can be dangerous to change a wheel when the vehicle is on a slope or soft, uneven ground.

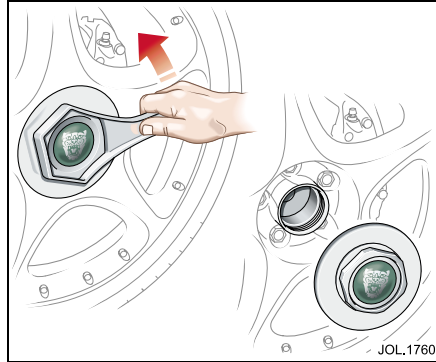
Remove the temporary-use or full size spare wheel to obtain the jack and wheel changing tools.

6-6 Roadside emergency



Alloy wheels with centre badge

When changing wheels, carefully remove the centre badge and transfer it to the replacement wheel (when a full size spare wheel is used).



Alloy wheels with hexagon centre wheel nut covers

Remove the cover with the plastic spanner supplied with the spare wheel jacking equipment.



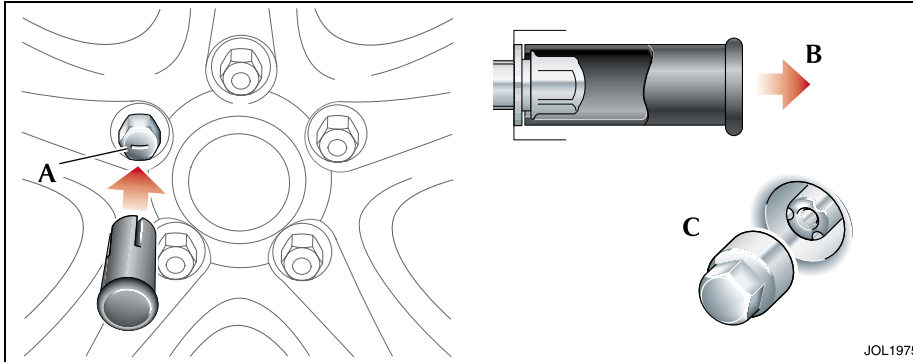
Loosening the wheel nuts

Always slightly loosen the wheel nuts before raising the vehicle.

The above label showing correct use of the wheel nut wrench is printed on its shaft.

(A) – WHEEL NUT REMOVAL

(B) – WHEEL NUT TIGHTEN



Locking wheel nut security coding

Locking wheel nuts have a letter stamped on their upper surface. The key socket is stamped with a corresponding number. Only key sockets with the correct matching number will fit the locking wheel nut.

Should a new key socket be required, note the letter on the locking wheel nut and contact your Jaguar Dealer. Proof of vehicle ownership will be required.

Removing locking wheel nuts (where fitted)

Some vehicles are fitted with one locking wheel nut on each wheel. These can only be removed using the extractor tube and key socket from the jacking equipment tray.

The locking wheel nut is provided with a cover which makes it visually similar to standard wheel nuts. The top of the cover has an indentation (A) to aid identification.

Push the extractor tube firmly over the locking wheel nut cover, as shown at (B), until it is fully located.

Withdraw the extractor tube to remove the cover.

Fit the key socket over the locking wheel nut as shown at (C).

Fit the wheel nut wrench over the key socket and loosen the locking wheel nut.

6-8 Roadside emergency

Wheel changing

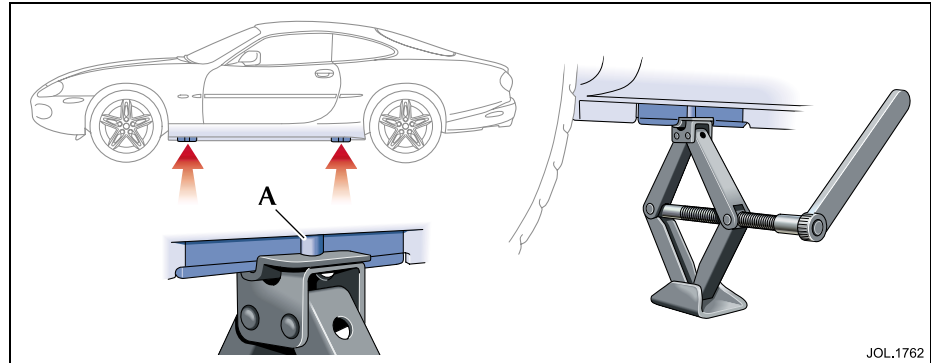
1. Ensure that all passengers are in a safe place, clear of the vehicle.
2. Apply the parkbrake and select gear position 'P' (Park).
3. Ensure that the jack is placed on firm and level ground.

Note: When one rear wheel is lifted off the ground the selection of transmission 'P' (Park) position will not prevent the vehicle from moving and possibly slipping off the jack.



WARNING:

1. **Before attempting to lift the vehicle with the jack, chock the wheel diagonally opposite to the wheel being replaced to prevent the vehicle from rolling when jacked up. A wheel chock is supplied with the jacking equipment for this purpose.**
2. **Never work under the vehicle using only the jack as a support, always use axle stands or suitable supports under the jacking points.**



JOL.1762

Before raising the vehicle slacken but do not remove the wheel nuts.

Observe the instructions printed on the jack.

Use the jack only for lifting the vehicle during wheel changing, and only use the jack which is stored in the vehicle.

Do not start or run the engine while the vehicle is only supported by a jack.

There are four jacking points, two each side of the vehicle on the underside of the floor. These are reinforced metal plates (A) attached to the sill near each wheel.

Caution: Ensure before raising the vehicle that the jack is correctly positioned to avoid any damage to the vehicle sills or sill panels. Use only the correct jacking points, never use bumpers or any other part of the body to lift the vehicle.



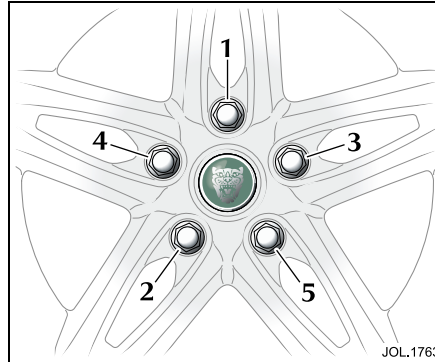
WARNING:

1. Do not attempt to lift the vehicle unless the jack head is fully engaged in the jacking point.
2. Ensure that the parkbrake is applied.

Place the jack squarely beneath the appropriate jacking point. Ensure that the jack head is fully engaged. Carefully raise the vehicle by turning the handle. Stop jacking the vehicle when the tyre just clears the ground. Minimum tyre lift gives maximum vehicle stability.

Remove the wheel nuts and the wheel.

When changing the alloy road wheels, transfer the centre badge to the replacement wheel (when a full size spare wheel is used). Using the plastic tipped end of the wheel nut wrench handle from the inside of the wheel, push the centre badge from its housing. If the temporary-use spare wheel is to be fitted, keep the centre badge safely and fit it to the repaired full size wheel when it has been refitted.



Fit the spare wheel and loosely secure with the wheel nuts.

Using the wheel nut wrench, lightly tighten the wheel nuts alternately using the sequence shown in the illustration.

Lower the jack and tighten the wheel nuts alternately, DO NOT OVERTIGHTEN.

At the earliest opportunity have the wheel nuts tightened with a torque wrench to 65 – 75 lb.ft (88 – 102 Nm).

This torque must not be exceeded.

Refitting centre badge (where fitted)

Press fit the centre badge into position on the wheel.

Refitting hexagon centre wheel nut cover (where fitted)

Tighten the hexagon centre wheel nut cover to the wheel with the plastic spanner supplied with the spare wheel jacking equipment.

Stowing the equipment

Stow the replaced road wheel in the luggage compartment, position the wheel and secure with the retaining nut.

Place the storage tray with the jack and wrench over the wheel.

Reposition the luggage compartment floor panel.

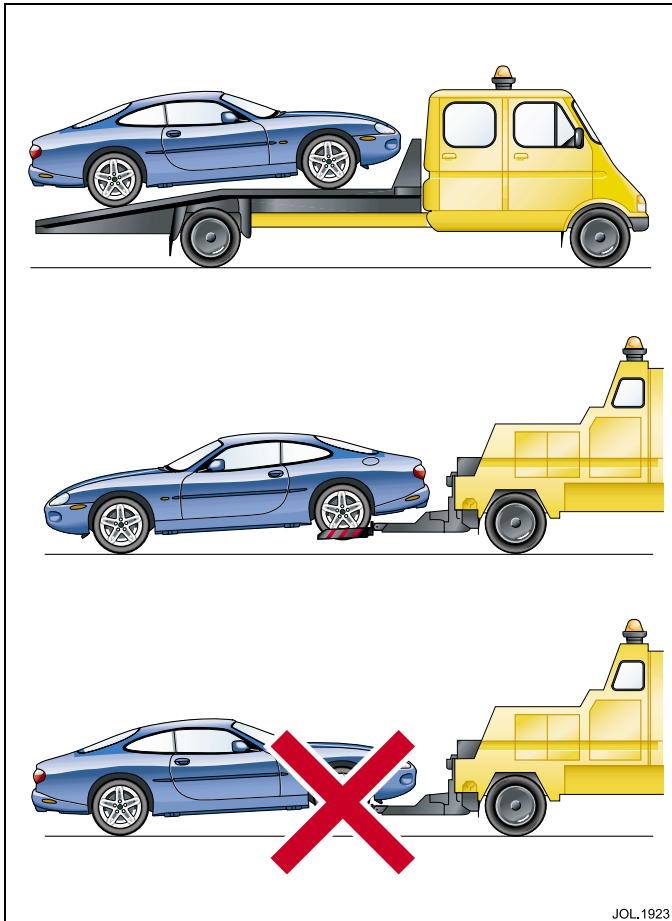
Note: Examine the jack occasionally and clean and grease the threads to ensure it is always ready for an emergency.



WARNING:

When the temporary-use spare wheel has been fitted, drive with caution and replace with the specified wheel and tyre as soon as possible.

6-10 Roadside emergency



JOL.1923

Vehicle recovery

The preferred vehicle recovery method is by using a flat bed transporter or rear suspended tow.

Caution:

1. If the vehicle has defective transmission, to prevent further damage, it must be towed with the rear wheels clear of the ground.
2. Ensure that the recovery team do not tow with sling-type equipment since damage to the bodywork may result.
3. Do not tow vehicle by suspending the front end.

Transporting

If the vehicle is being transported on a trailer or vehicle flat bed transporter, the parkbrake must be applied, the wheels chocked and the gear selector lever moved to position 'N' or 'D' but NEVER to 'P'.

The vehicle must be securely tied down to the transporter or trailer.

Towing eyes



WARNING:

- 1. The vehicle must not be driven with a towing eye fitted to a front tow point.**
- 2. When the engine is not running the steering and brakes will no longer be power assisted. Therefore, be prepared for relatively heavy steering and the need for greatly increased brake pedal pressure.**

Caution: The towing eyes are not suitable for 'solid bar towing'. Care must be taken to avoid damaging the bumpers and front apron.

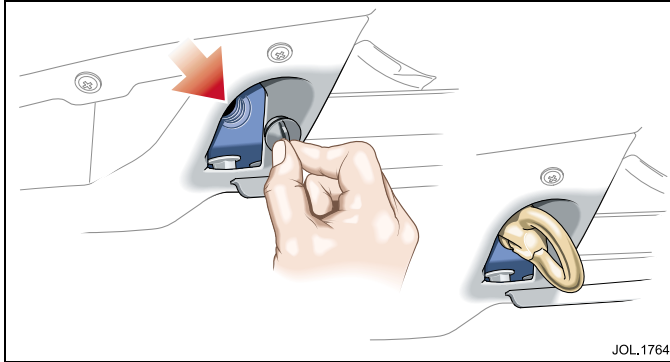
A removable towing eye is provided for use at the front or rear of the vehicle. The towing eye has a left-hand thread and must be screwed in an anti-clockwise direction when fitting. When not in use it is stowed with the jacking equipment kit, see page 6-4.

Always obey towing regulations: In certain countries the registration number of the towing vehicle and an 'ON TOW' sign or warning triangle must be displayed in a prominent position at the rear of the vehicle being towed.

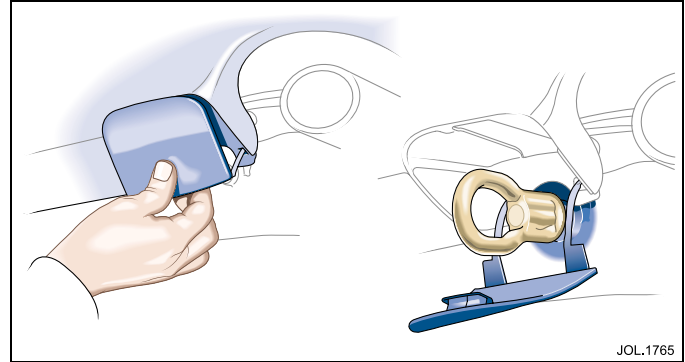
When being towed, the vehicle's gear selector lever must be in neutral (position 'N') with the ignition key turned to position 'II' to release the steering lock and render the indicators, horn and brake lights operational.

Vehicles may be towed for a SHORT DISTANCE maximum 0.5 miles (0.8 kilometres) with the gear selector lever in position 'N', provided a speed of 30 mph (48 km/h) is not exceeded).

6-12 Roadside emergency



Front fitting: To use at the front of the vehicle, remove the rubber blanking plug from the front crossmember on the driver's side and screw the eye into the threaded drilling. The blanking plug is a push-fit in the towing eye thread.



WARNING:

Avoid body contact with a hot exhaust pipe when fitting the eye to the rear towing point.

Rear fitting: To access the rear tow position, unclip the bumper cover by pulling the lower edge out slightly and then downwards. Screw the towing eye into the threaded body fixing.

When refitting the cover, first insert the tab at the top of the cover before clipping the lower edge into position.