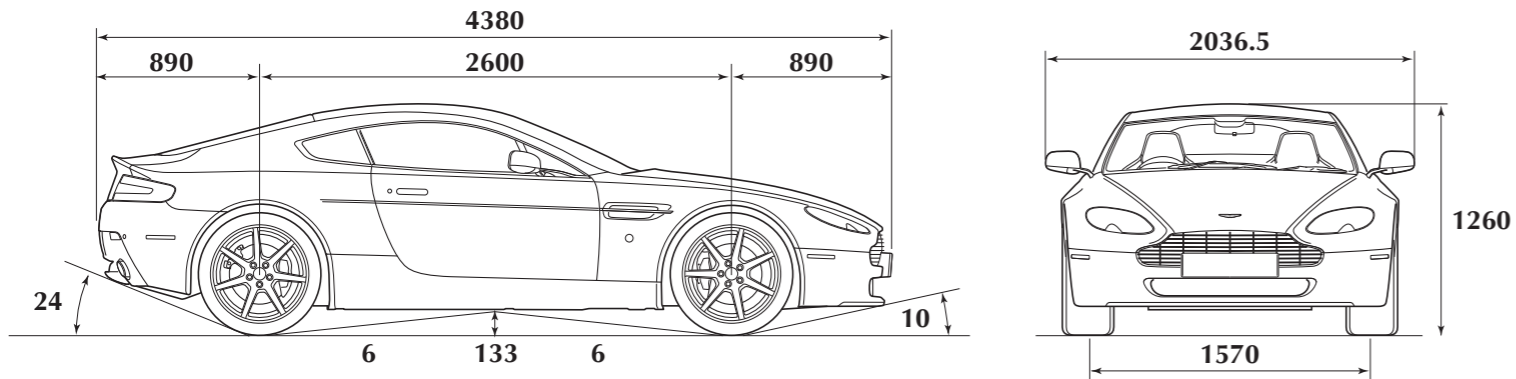




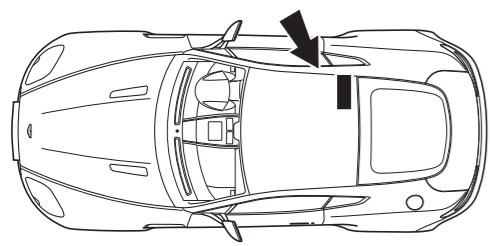
Mondial Recovery Information AM V8

If in doubt call Service Operations 01926-644700/2/3

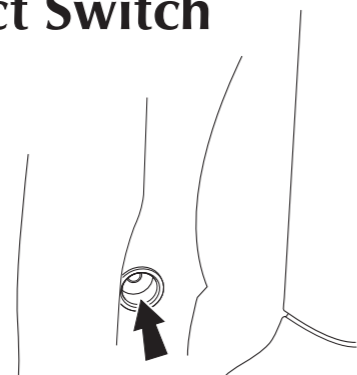


Do Not Drive! Winch on Only Do Not Jump Start!

Battery Connect Switch

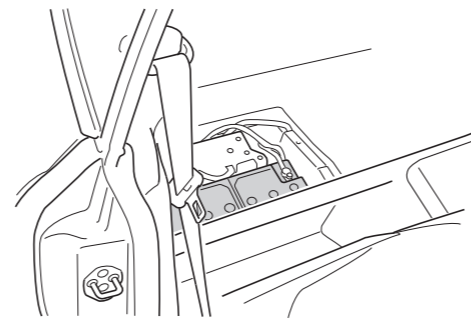


THE BATTERY AND BATTERY CONNECT SWITCH (BCS) ARE LOCATED BEHIND THE RH SEAT



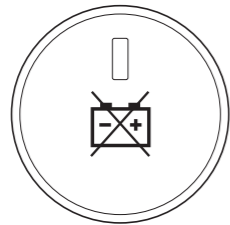
PRESS THE YELLOW BCS SWITCH TO ACTIVATE ALL ELECTRONIC SYSTEMS.

Battery Location



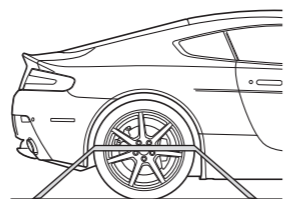
THE BATTERY IS LOCATED UNDER THE REAR STORAGE FLOOR PANEL

Battery Disconnect Switch

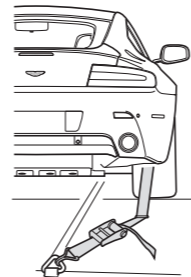


PRESS THE BATTERY DISCONNECT SWITCH (BDS) TO SHUT DOWN ALL ELECTRICAL SYSTEMS. THE BDS IS LOCATED IN THE BOOT AREA.

Strap Down Wheels



RECOMMENDED

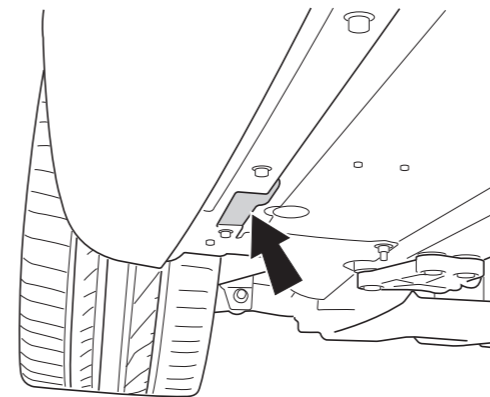


ALTERNATIVE

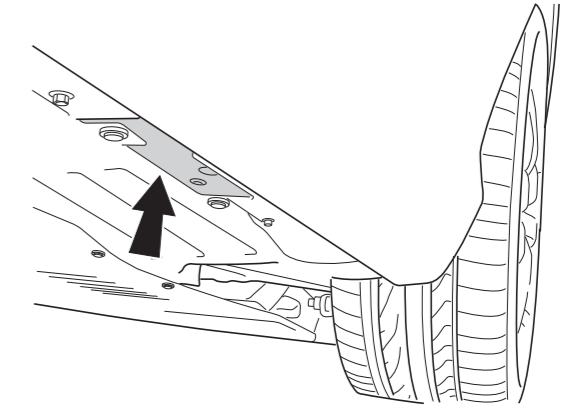


Mondial Recovery Information AM V8

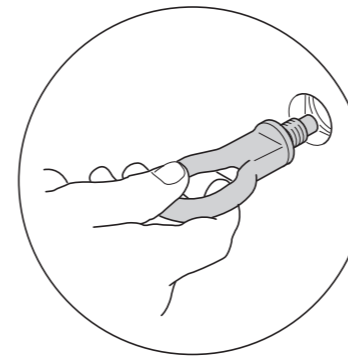
Rear Jacking Point



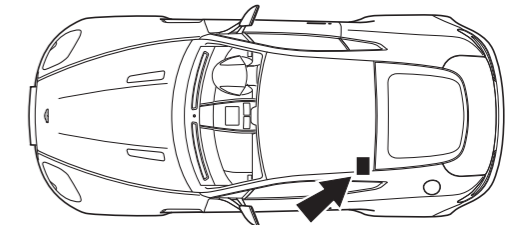
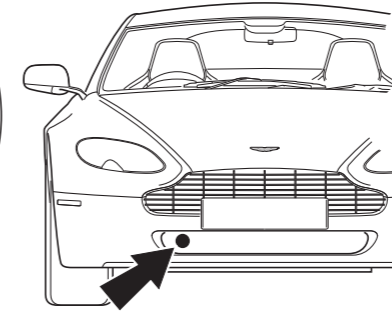
Front Jacking Point



Front Towing Eye

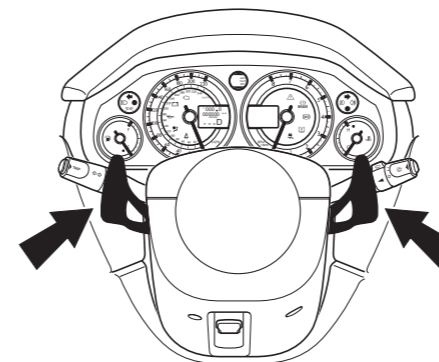


REMOVE PLUG FROM LOWER FRONT GRILL TO LOCATE TOWING EYE APERTURE

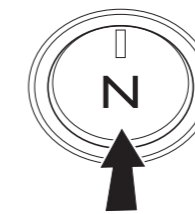


THE TOWING EYE IS LOCATED IN THE TOOLKIT UNDER THE REAR STORAGE FLOOR PANEL BEHIND THE LH SEAT.

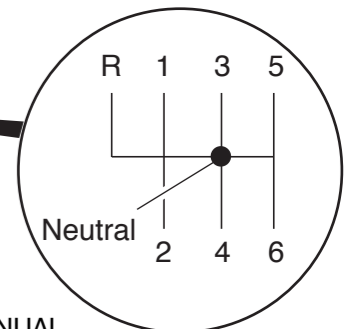
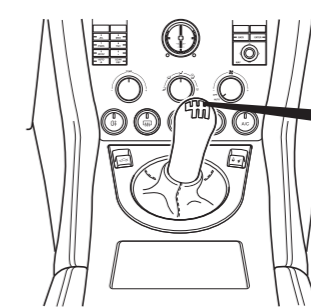
Select Neutral



ASM. EITHER: PULL BOTH PADDLES WITH THE IGNITION ON.



OR PRESS THE 'N' BUTTON WITH THE IGNITION ON.



MANUAL PLACE THE GEAR LEVER IN NEUTRAL

Airbag Locations

