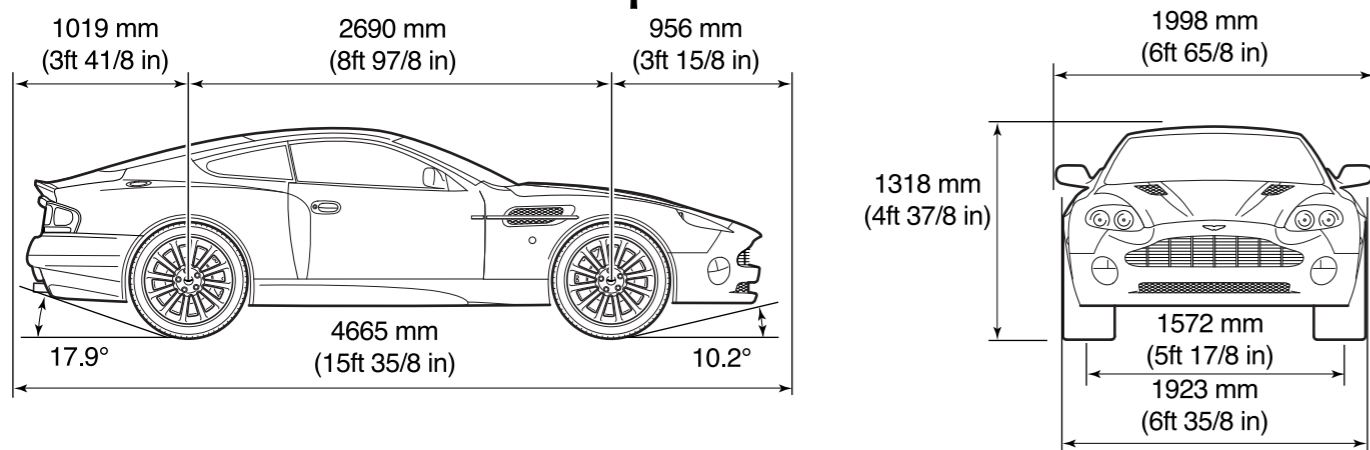




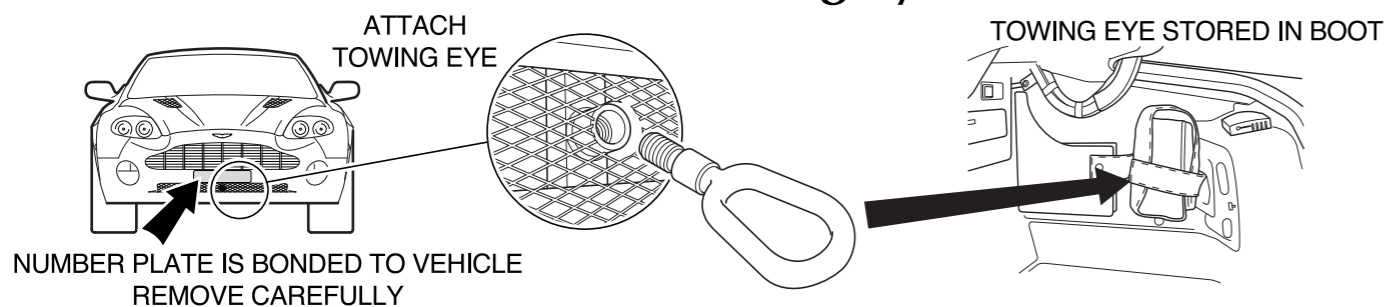
# Mondial Recovery Information V12 Vanquish

If in doubt call Service Operations 01926-644700/2/3

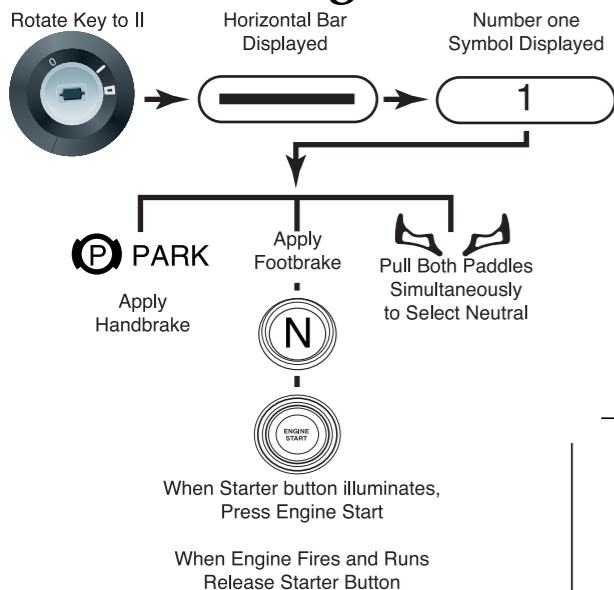


## Do Not Drive! Winch on Only Do Not Jump Start!

### Front Towing Eye

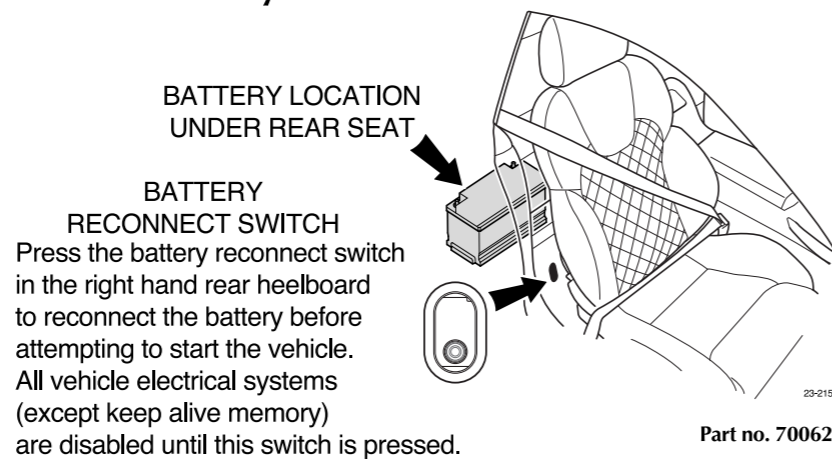


### Selecting Neutral



Insert the ignition key and rotate to position II. The gear position indicator within the instrument panel will initially display a horizontal bar during the system self-check, and will flash a 1 symbol. The driver must select neutral before the engine can be started. With the handbrake applied, press the footbrake and pull both gearshift paddles simultaneously to select neutral. N will be displayed and the starter button will be illuminated.

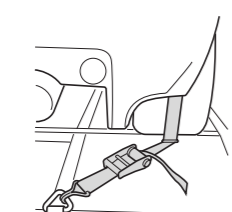
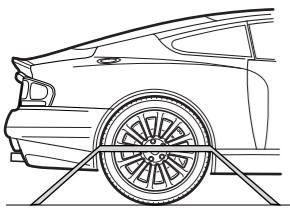
### Battery Reconnect Switch



### Strap Down Wheels

RECOMMENDED

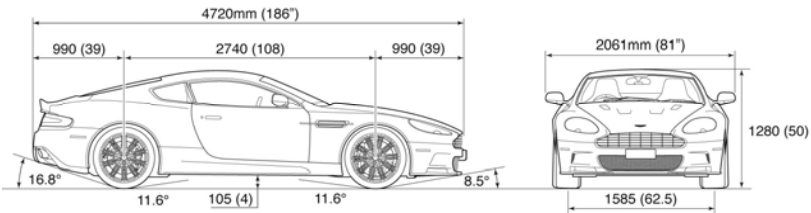
ALTERNATIVE





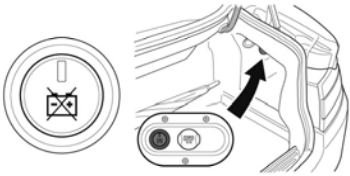
## Aston Martin Emergency Service. DBS

If in doubt call After Sales Operations +44 (0)1926 644720



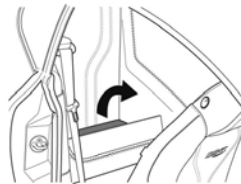
**Do Not Drive! Winch on Only. Do Not Jump Start!**

### Battery Disconnect Switch



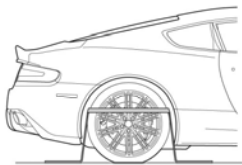
PRESS THE BATTERY DISCONNECT SWITCH (BDS) TO SHUT DOWN ALL ELECTRICAL SYSTEMS. THE BDS IS LOCATED IN THE BOOT AREA.

### Battery Location

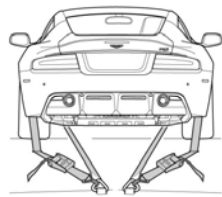


REMOVE R/S REAR STOWAGE FLOOR PANEL TO LOCATE THE BATTERY.

### Strap Down Wheels



RECOMMENDED

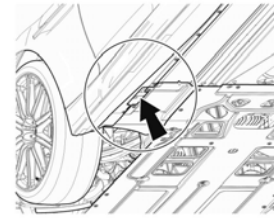


ALTERNATIVE

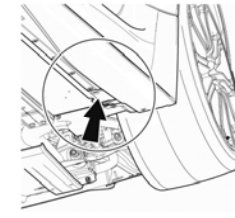


## Aston Martin Emergency Service. DBS

### Rear Jacking Point



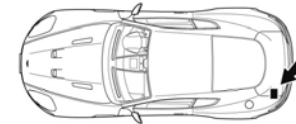
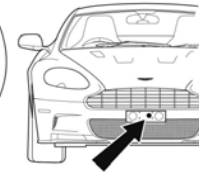
### Front Jacking Point



### Front Towing Eye

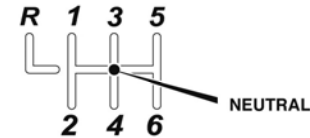
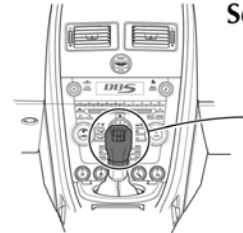


REMOVE NUMBER PLATE OR TOWING EYE COVER TO LOCATE TOWING EYE APERTURE



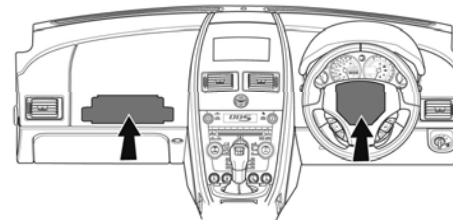
THE TOWING EYE IS LOCATED IN THE TOOLKIT, WHICH CAN BE FOUND IN THE BOOT LH SIDE UNDER FLOOR COMPARTMENT.

### Select Neutral



PLACE THE GEAR LEVER IN NEUTRAL

### Airbag Locations



SIDE AIRBAGS- COMFORT SEAT ONLY