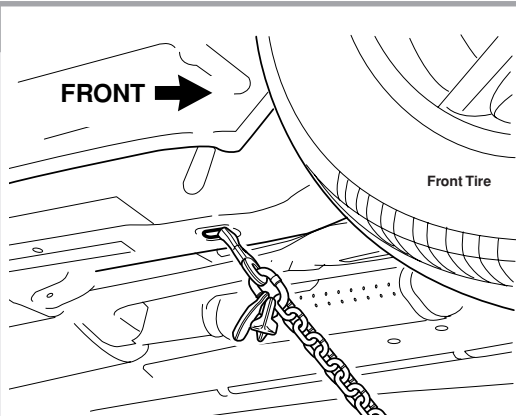


## Front

Refer to Notices on pages 28-29.

Refer to FWD information on page 30.

**NOTICE:** When towing a vehicle on a carrier, do not attach a bridle to the front of the vehicle where a turnbuckle could come into contact with the oil pan. Damage to the vehicle may occur when the vehicle is being pulled up the ramp or being towed. Use a bridle that is at least 40 inches (101.6 cm) or longer. Make sure the turnbuckle does not fall under the oil pan.

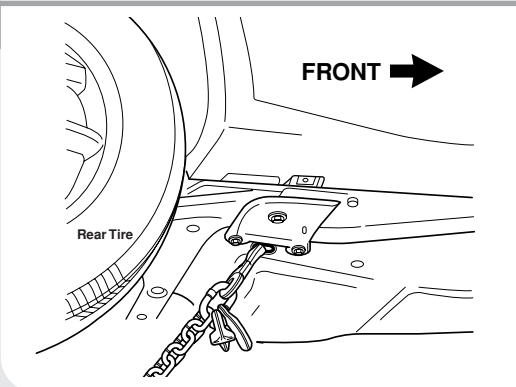


## Rear

Refer to Notices on pages 28-29.

Refer to FWD information on page 30.

**NOTICE:** A towing dolly must be used under the front wheels or vehicle damage will occur.



# Towing Recommendations and Guidelines

The following notices describe precautions necessary to prevent damage to towed vehicles. Refer and adhere to these notices whenever towing a GM vehicle. In addition to the general notices below, individual vehicles may require additional precautions due to the vehicle's design, equipment, or other unique features. These vehicle-specific notices are included on the appropriate vehicle page. They should be adhered to in addition to the notices below. The following pages also contain guidelines for vehicle content features that affect towing. These should also be adhered to, as applicable, in addition to all applicable notices. **Failure to follow these notices and guidelines may result in damage to the customer's vehicle.**

These instructions apply to vehicles with standard equipment only. Any optional equipment such as campers, special bodies, front mounted spare tires, trailer hitches, etc. must be given due consideration.

## Front Tow Notices

**NOTICE:** Towing on a vehicle's drive wheels should be avoided, if possible. When towing on the drive wheels, maximum speed and distance limitations must be adhered to and/or a towing dolly may need to be used.

**NOTICE:** When towing most AWD vehicles, a towing dolly must be used on the ground wheels or vehicle damage will occur.

**NOTICE:** Do not tow with sling-type equipment or fascia/fog lamp damage will occur. Use wheel-lift or carrier equipment. Additional ramping may be required for car-carrier equipment. Use safety chains and wheel straps.

**NOTICE:** Towing a vehicle over rough surfaces could damage the vehicle. Damage can occur from vehicle-to-ground or vehicle-to-wheel-lift equipment contact. To help avoid damage, install a towing dolly and raise vehicle until adequate clearance is obtained between the ground and/or wheel-lift equipment.

**NOTICE:** Do not attach winch cables or J-hooks to suspension components when using carrier equipment. Always use T-hooks inserted in the shipping slots.

**NOTICE:** Towing on a vehicle's drive wheels should be avoided, if possible. When towing on the drive wheels, maximum speed and distance limitations must be adhered to and/or a towing dolly may need to be used.

**NOTICE:** When towing most AWD vehicles, a towing dolly must be used on the ground wheels or vehicle damage will occur.

**NOTICE:** Do not tow with sling-type equipment or the rear bumper valance will be damaged. Use wheel-lift or carrier equipment. Additional ramping may be required for carrier equipment. Use safety chains and wheel straps.

**NOTICE:** Towing a vehicle over rough surfaces could damage the vehicle. Damage can occur from vehicle-to-ground or vehicle-to-wheel-lift equipment contact. Install the towing dolly and raise the vehicle until adequate clearance is obtained between the ground and/or wheel-lift equipment contact.

**NOTICE:** Do not attach winch cables or J-hooks to suspension components when using carrier equipment. Always use T-hooks inserted in the shipping slots.

**NOTICE:** Wheel-lift towing pickup trucks models from the rear while loaded with heavy cargo may cause the frame side rails to flex sufficiently, allowing the pickup box to contact the cab and possibly causing damage to the cab and/or box.

**When Front Towing Front-Wheel Drive (FWD) Vehicles**

1. Raise the vehicle in Neutral (N) then place the gear selector into Park (P).
2. Turn the ignition switch to OFF or LOCK.
3. Attach a separate safety chain around the outboard end of each lower control arm. Take care not to damage the brake pipes and hoses or the ABS sensors.
4. Secure the steering wheel in the straight-ahead position using a clamping device designed for towing service.

**When Rear Towing Front-Wheel Drive (FWD) Vehicles**

1. Place the gear selector in Neutral (N).
2. Turn all accessories off.
3. Make sure the transaxle fluid is on the full mark (Add fluid as required).
4. Turn the ignition to OFF or LOCK.
5. Secure the steering wheel in the straight-ahead position using a clamping device designed for towing service.
6. Adhere to limits or use of towing dollies as indicated on specific vehicle page.