

CONTINENTAL

FRONT TOWING CONNECTIONS

CAUTION: Do not tow with J-hooks under any circumstances. J-hooks may damage driveline or suspension components.

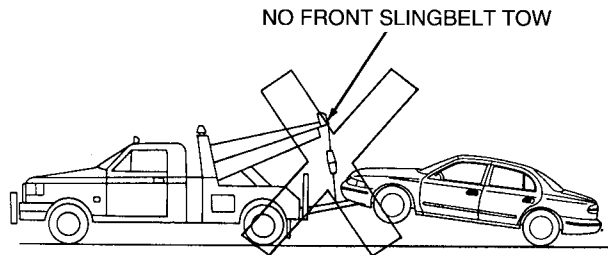
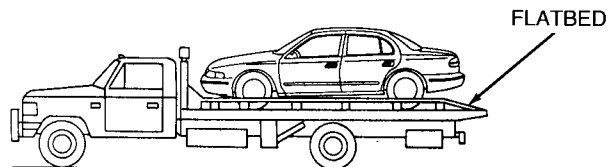
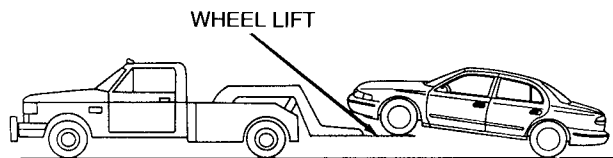


CAUTION: Before the vehicle can be towed, the air suspension control in the luggage compartment must be turned to the OFF position (if equipped).

CAUTION: It is recommended that the Continental be towed with a wheel lift or flatbed equipment. Do not tow the vehicle from the front using slingbelt equipment. However, if your vehicle has experienced a failure in the air suspension system and is in the full down position, then the vehicle must be towed from the rear using a slingbelt with T-hooks. See **REAR TOWING CONNECTIONS** on the next page for procedure. If the vehicle is towed by other means or incorrectly, vehicle damage may occur.

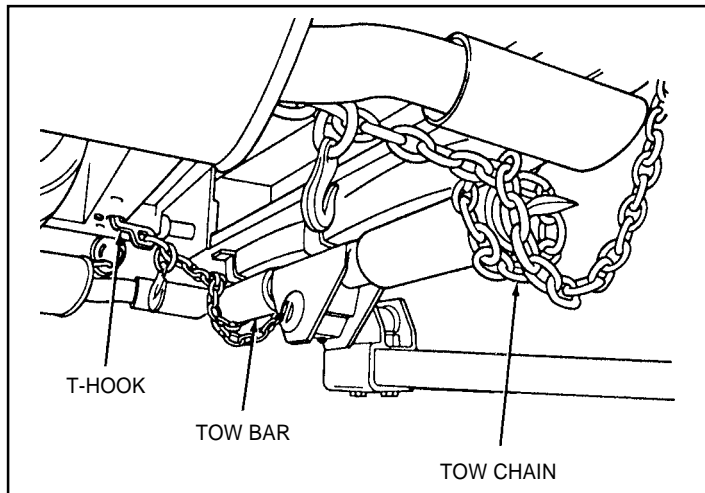
NOTE: Refer to general towing information on pages 6 and 7 before towing vehicle.

TRANS	MPH/KMH	MILES/KMS
AUTO	35/55	50/80





TRANS	MPH/KMH	MILES/KMS
AUTO	35/55	50/80



REAR TOWING CONNECTIONS

CAUTION: Do not tow with J-hooks under any circumstances. J-hooks may damage driveline or suspension components.



CAUTION: Before the vehicle can be towed, the air suspension control in the luggage compartment must be turned to the OFF position (if equipped).

CONTINENTAL

CAUTION: If the Continental is to be towed from the rear using wheel lift or slingbelt equipment, the front wheels (drive wheels) must be placed on a dolly to prevent damage to the transaxle.

CAUTION: It is recommended that the Continental be towed with a wheel lift or flatbed equipment. Do not tow the vehicle from the front using slingbelt equipment. However, if your vehicle has experienced a failure in the air suspension system and is in the full down position, then the vehicle must be towed from the rear using a slingbelt with T-hooks. If the vehicle is towed by other means or incorrectly, vehicle damage may occur.

NOTE: Refer to general towing information on pages 6 and 7 before towing vehicle.

NOTE: Do not go faster than 35 mph (55 km/h) or farther than 50 miles (80 km). If you do, you could damage the transaxle. If more speed or distance is necessary, place the front wheels on dollies.

SLINGBELT TOWING FROM THE REAR

NOTE: The towbar will deform the soft fascia (bumper). The soft fascia will return to an acceptable shape.

- Use T-hooks in T-hook slots only.

GENERAL TOWING INFORMATION — PASSENGER CARS

IMPORTANT SAFETY NOTICE

NOTES AND CAUTIONS

As you read through the procedures, you will come across **NOTES** and **CAUTIONS**. Each one is there for a specific purpose. **NOTES** give you added information that will help to complete a particular procedure. **CAUTIONS** are given to prevent you from making an error that could damage the vehicle.

Preparatory Steps

Release the parking brake, and place transmission/transaxle in NEUTRAL. As a general rule, vehicles should be towed with the drive wheels off the ground. If the vehicle is to be towed on its drive wheels, the transmission/transaxle and differential must be operable. If the transmission/transaxle is not operable, place the rear wheels on a dolly or disconnect the rear driveshaft on rear wheel drive vehicles. **DO NOT** disconnect the driveshaft on Lincoln LS, Thunderbird or Mustang; refer to the caution in Lincoln LS, Thunderbird or Mustang portion of this manual. If the differential is not operable, place the rear wheels on a dolly.

When a vehicle is towed on its front wheels, the steering wheel must be clamped in the straight ahead position with a steering wheel clamping device designed for towing service use, such as those provided by towing system manufacturers.

Do not use the vehicle's steering column lock to lock the wheels in a straight ahead position when towed from the front or rear. If the ignition key is not available, place a dolly underneath the

driving wheels of the vehicle and tow with the non-drive wheels raised.

Flat Beds

When using a flatbed to transport a vehicle, always use T-hooks inserted in the appropriate tie down slot. Never fasten J-hooks to any suspension or driveline component because J-hooks will damage driveline and suspension components. When using winches, take care to avoid damaging the bumper system, lower body panels, or air dams.

On vehicles equipped with an air suspension system, be sure the air suspension service switch is turned off prior to vehicle tie down. Refer to Owner Guide for switch location.

CAUTION: Improperly tying down a disabled vehicle may damage the vehicle's suspension, driveline or body parts.

Towing Slings

To avoid possible damage to bumper system, lower body panels, or air dams, a belt sling should be used to lift and tow all vehicles. When attaching towing slings, take care to avoid damage to license plate and frame, or fog lamps, if equipped.

Towing Speeds

See specific model instructions for vehicle towing speed and distance limitations.

UNLTD = Unlimited speed or mileage.

On rough pavement, the maximum towing speed is 35 mph (55 km/h). Maximum towing speed of 35 mph (55 km/h) should be used whenever the tow truck operator is not sure of road surface condition.

WRECKER TOWING FORD VEHICLES WITH AIR BAGS

General Information

An air bag is highly unlikely to deploy during wrecker towing. Standard wrecker towing or recovery procedures on an air bag equipped vehicle should not cause air bag deployment. Only a significant frontal or side (if equipped with side air bags) impact that closes two crash sensors will deploy an air bag.

How to Determine if a Ford Vehicle has Air Bags

- The fourth position of all Ford VINs is the letter:
 - “C” if equipped with driver-side only air bag.
 - “L” if equipped with both a driver and a passenger-side air bag; or
 - “B” or “P” if not equipped with an air bag.
- The steering wheel hub will also be larger and more rectangular (about 6 inches x 9 inches). The passenger-side air bag module trim covers will be moulded with “SRS” or “AIR BAG”.
- The VIN plate may have “AIR BAG” printed on it.

Is it Necessary to Disable the Air Bag System for Wrecker Towing?

- Disabling the air bag system is **not** necessary in most cases. But, as a precaution, disconnect the battery ground (-) cable in a safe manner.

NOTE: Turning the ignition switch to OFF may **not** disable the Ford air bag system. Some older model air bag deployment systems operate independently of the ignition key position.

Wrecker Towing a Vehicle with Deployed Air Bags

- Deployed air bags are **not** dangerous.
- Any powdery residue consists of corn starch or talcum powder and sodium compounds, mostly sodium carbonates (e.g., baking soda) accompanied by very minute deposits of sodium hydroxide that can be irritating to the skin and eyes but poses no long term health hazard.